



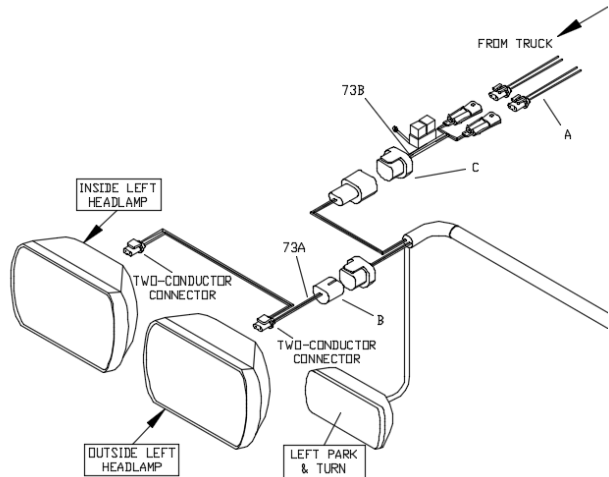
P.O. Box 787 Iron Mountain, MI 49801-0787  
ISO 9001:2008 REGISTERED  
bossplow.com

**Negative Switch SL3 Relay Kit**  
**1999-2002 GM 1500-3500**  
**Installation Instructions**  
**MSC09471**

***DRIVEN TO BE THE BEST***

MSC09472-A

## Negative Switch SL3 Relay Kit Installation Procedure



All plow wiring should be secured within the engine compartment in a position that provides sufficient room so that hot or moving parts will not be contacted. Vehicle damage could occur if wires are not properly secured.

7. Route the black ground wire of headlight adapter 73B to the vehicle battery.
8. Secure the 3/8" ring connector to the negative battery terminal.
9. Repeat steps 1 through 6 for the opposite side headlight.

**Figure 1.** 1999-2002 GM Headlight Adapter Connection G10161

This installation procedure is for 1999-2002 Chevrolet and GMC trucks.

1. Disconnect the OEM headlight connector plugs (A) from the back of the vehicle headlight
2. Connect two ends of Headlight Adapter (73A) into the back of the vehicle headlights.
3. Connect the Black Rubber Female Socket (B) of Headlight Adapter (73A) into the plow wiring harness.
4. Connect the Blue Sealed Beam Connector (C) of Headlight Adapter (73B) into the plow wiring harness.
5. Connect the gray and black matching sockets on headlight adapter 73B into the gray and black plugs from the OEM wiring harness (A).
6. Securely attach relay pack of adapter 73B in the engine compartment.

NOTICE

**DRIVEN TO BE THE BEST**

MSC09472-A